

POWER SOLUTIONS

12V/150AH VRLA Battery

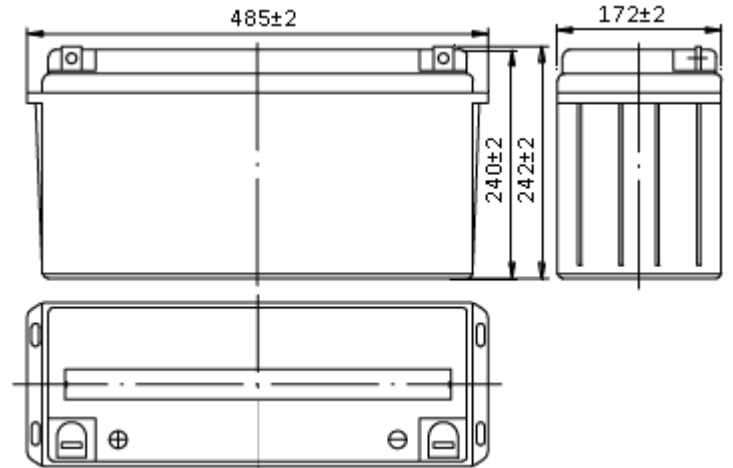
Features

- ABS container
- Absorbent glass mat technology

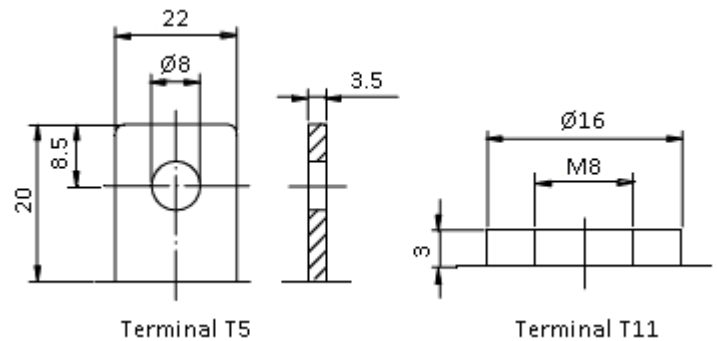


Nominal Voltage		12 V
Capacity (25°C)	10HR(10.8V)	150AH
	5HR(10.5V)	130AH
	1HR(9.60V)	93AH
Dimensions	Length	485±2mm (19.09inch)
	Width	172±2mm (6.77inch)
	Height	240±2mm (9.45inch)
	Total Height	T5: 242±2mm (9.53inch) T11: 240±2mm (9.45inch)
Approx. Weight		42kg
Terminal type		T5/T11
Internal resistance (Fully charged, 25°C)		Approx. 3.5mΩ
Capacity affected by temperature (10HR)	40°C	102%
	25°C	100%
	0°C	85%
	-15°C	65%
Self-discharge (25°C)	3 month	Remaining Capacity: 91%
	6 month	Remaining Capacity: 82%
	12 month	Remaining Capacity: 65%
Nominal operating temperature		25°C±3°C(77°F±5°F)
Operating temperature range	Discharge	-15°C~50°C(5°F~122°F)
	Charge	-10°C~50°C(14°F~122°F)
	Storage	-20°C~50°C(-4°F~122°F)
Float charging voltage(25°C)	13.60 to 13.80V Temperature compensation: -18mV/°C	
Cyclic charging voltage(25°C)	14.50 to 14.90V Temperature compensation: -30mV/°C	
Maximum charging current	45A	
Terminal material	Copper	
Maximum discharge current	1200A (5 sec.)	
Designed floating life(20°C)	7-10years	

Dimensions



Terminal



POWER SOLUTIONS

Constant Current Discharge Characteristics (A, 25°C)											
F.V/Time	10MIN	15MIN	30MIN	1HR	2HR	3HR	4HR	5HR	8HR	10HR	20HR
1.60V	329.95	259.7	156.62	9.35	55.02	40.8	33.13	27.96	18.71	16	8.2
1.65V	320.1	252.84	153.13	90.15	54.23	40.3	32.74	27.66	18.51	15.8	8.13
1.70V	307.26	243.88	148.66	87.96	53.13	39.6	32.24	27.26	18.31	15.6	8.05
1.75V	290.55	232.24	142.69	84.98	51.74	38.61	31.44	26.67	17.91	15.4	7.93
1.80V	269.25	217.31	134.93	81.09	49.85	37.31	30.55	25.87	17.51	15	7.78

Constant Power Discharge Characteristics (Watt, 25°C)											
F.V/Time	10MIN	15MIN	30MIN	1HR	2HR	3HR	4HR	5HR	8HR	10HR	20HR
1.60V	569.15	460.7	288.56	174.13	105.47	79.2	64.68	54.83	37.11	31.9	16.4
1.65V	567.16	457.71	286.57	173.13	105.47	78.61	64.18	54.43	36.82	31.7	16.3
1.70V	550.25	445.77	279.6	169.15	103.48	77.41	63.18	53.73	36.42	31.3	16.1
1.75V	529.35	430.85	271.64	164.18	101.49	75.82	61.99	52.74	35.82	30.8	15.9
1.80V	499.5	408.96	258.71	157.21	97.91	73.63	60.4	51.44	34.93	30.1	15.6

Ordering Information

Part No	Description
91121503	Alston Systems, 12V/150AH VRLA Battery

© 2019 Alston Systems Inc. All Rights Reserved.

Although Alston Systems makes every reasonable effort to ensure their accuracy at the time of this publication, information and specifications described herein are subject to error or omission and to change without notice, and the listing of such information and specifications does not ensure product availability.

Alston Systems provides the information and specifications herein on an "ASIS" basis, with no representations or warranties, whether express, statutory or implied. In no event will Alston Systems be liable for any damages (including consequential, indirect, incidental, special, punitive, or exemplary damages) whatsoever, even if Alston Systems, has been advised of the possibility of such damages, whether in an action under contract, negligence or any other theory, arising out of or in connection with the use, or inability to use, the information or specifications described herein.

All sales of Alston Systems products are subject to Alston Systems standard terms and conditions of sale.

Alston Systems believes this product to be in compliance with all applicable environmental programs as listed in the data sheet. The information provided is correct to the best of Alston Systems knowledge, information and belief at the date of its publication. This information is designed only as a general guide for the safe handling, storage, and any other operation of the product itself or the one that it becomes a part of. The Product Disclosure is not to be considered a warranty or quality specification. Regulatory information is for guidance purposes only. Product users are responsible for determining the applicability of legislation and regulations based on their individual usage of th