

POWER SOLUTIONS

12V/40AH VRLA Battery

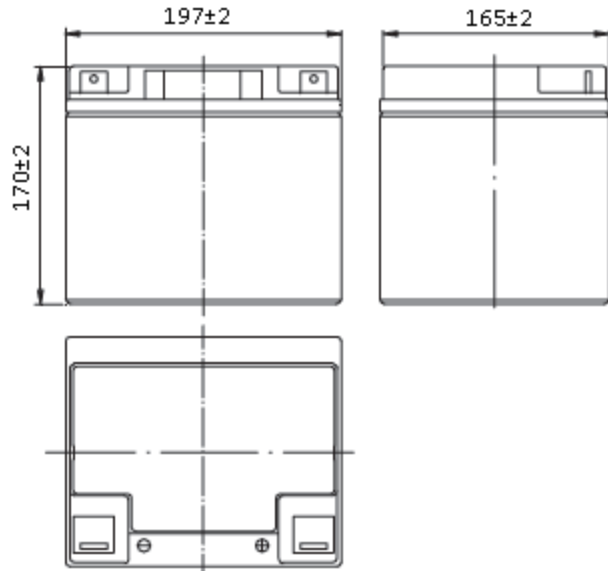
Features

- ABS container
- Absorbent glass mat technology

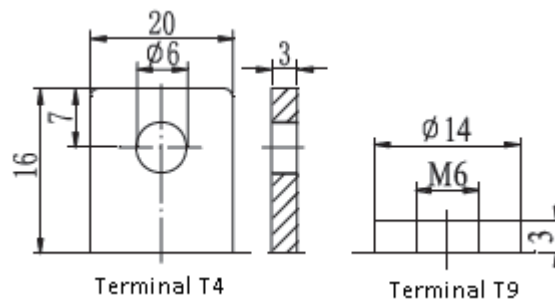


Nominal Voltage		12 V
Capacity (25°C)	20HR(10.5V)	40 AH
	10HR(10.5V)	35 AH
	1HR(9.60V)	24.8 AH
Dimensions	Length	197±2mm (7.76inch)
	Width	165±2mm (6.50inch)
	Height	170±2mm (6.69inch)
	Total Height	170±2mm (6.69inch)
Approx. Weight		12.5kg (27.5lbs)±4%
Terminal type		T4/T9
Internal resistance (Fully charged, 25°C)		Approx. 8.5mΩ
Capacity affected by temperature (10HR)	40°C	102%
	25°C	100%
	0°C	85%
	-15°C	65%
Self-discharge (25°C)	3 month	Remaining Capacity: 91%
	6 month	Remaining Capacity: 82%
	12 month	Remaining Capacity: 65%
Nominal operating temperature		25°C±3°C(77°F±5°F)
Operating temperature range	Discharge	-15°C ~ 50°C(5°F ~ 122°F)
	Charge	-10°C ~ 50°C(14°F ~ 122°F)
	Storage	-20°C ~ 50°C(-4°F ~ 122°F)
Float charging voltage(25°C)	13.50 to 13.80V Temperature compensation: -18mV/°C	
Cyclic charging voltage(25°C)	14.50 to 14.90V Temperature compensation: -30mV/°C	
Maximum charging current	12A	
Terminal material	Copper	
Maximum discharge current	400A(5 sec.)	
Designed floating life(20°C)	10~15 years	

Dimensions



Terminal



POWER SOLUTIONS

Constant Current Discharge Characteristics (A, 25°C)											
F.V/Time	5MIN	10MIN	15MIN	30MIN	1HR	2HR	3HR	4HR	5HR	10HR	20HR
1.60V	139.7	97.77	72.89	42.18	24.76	14.83	10.89	8.85	7.46	4.26	2.19
1.65V	134.63	94.86	70.98	41.25	24.3	14.62	10.75	8.74	7.38	4.22	2.17
1.70V	128.06	91.03	68.47	40.03	23.69	14.33	10.55	8.59	7.26	4.17	2.15
1.75V	119.6	86.09	65.19	38.43	22.89	13.94	10.3	8.4	7.11	4.1	2.11
1.80V	108.96	79.77	61	36.35	21.85	13.44	9.96	8.14	6.92	4.0	2.07

Constant Power Discharge Characteristics (Watt, 25°C)											
F.V/Time	5MIN	10MIN	15MIN	30MIN	1HR	2HR	3HR	4HR	5HR	10HR	20HR
1.60V	240.4	168.66	129.35	77.76	46.98	28.53	21.11	17.23	14.61	8.51	4.37
1.65V	237.81	167.96	128.56	77.18	46.6	28.32	20.96	17.11	14.52	8.44	4.34
1.70V	228.76	162.99	125.17	75.32	45.59	27.84	20.64	16.87	14.32	8.34	4.3
1.75V	217.51	156.92	120.9	73.04	44.27	27.22	20.22	16.55	14.06	8.21	4.24
1.80V	201.69	147.96	114.73	69.8	42.46	26.38	19.63	16.1	13.71	8.03	4.17

Ordering Information

Part No	Description
91120403	Alston Systems, 12V/40AH VRLA Battery

© 2019 Alston Systems Inc. All Rights Reserved.

Although Alston Systems makes every reasonable effort to ensure their accuracy at the time of this publication, information and specifications described herein are subject to error or omission and to change without notice, and the listing of such information and specifications does not ensure product availability.

Alston Systems provides the information and specifications herein on an "ASIS" basis, with no representations or warranties, whether express, statutory or implied. In no event will Alston Systems be liable for any damages (including consequential, indirect, incidental, special, punitive, or exemplary damages) whatsoever, even if Alston Systems, has been advised of the possibility of such damages, whether in an action under contract, negligence or any other theory, arising out of or in connection with the use, or inability to use, the information or specifications described herein.

All sales of Alston Systems products are subject to Alston Systems standard terms and conditions of sale.

Alston Systems believes this product to be in compliance with all applicable environmental programs as listed in the data sheet. The information provided is correct to the best of Alston Systems knowledge, information and belief at the date of its publication. This information is designed only as a general guide for the safe handling, storage, and any other operation of the product itself or the one that it becomes a part of. The Product Disclosure is not to be considered a warranty or quality specification. Regulatory information is for guidance purposes only. Product users are responsible for determining the applicability of legislation and regulations based on their individual usage of th